

Instructions Manual

MINIMA, OPTIMA, BASIC EXTRACTORS manual 2, 3 frame



LYSON

Przedsiębiorstwo Pszczelarskie Łyson

Spółka z o.o.

34-124 Klecza Górna, st.Pszczela 2, Poland

www.lyson.eu, e-mail; lyson@lyson.com.pl

Tel. +48 33/875-99-40, +48 33/870-64-02

This manual covers following devices (codes):

MINIMA 2 frame -W233B, W233BN, W233B_OM

MINIMA 3 frame - W234B, W234BN

OPTIMA 2 frame - W2019M, W2019N, W2019_OM

OPTIMA 3 frame - W234N

BASIC - W233BB, W233BB_OM, W233BBN, W234BB, W234BBN

Table of contents

1. General safety rules
 - 1.1. Intended use
 - 1.2. Operation safety
2. Instructions for use
 - 2.1. General rules – preparation for use
 - 2.2. Operation instructions
3. Product description
 - 3.1. Technical specifications
 - 3.2. Basket demounting instructions
 - 3.3. Manual crank handle installation
 - 3.4. Legs installation (applies to W233BN, w2019N)
4. Maintenance and Cleaning
5. Waste disposal and environmental protection
6. Warranty



1. General safety instructions

Before first use read the manual carefully and follow the instructions contained therein. The manufacturer is not liable for damage caused by equipment used inappropriately or by incorrect handling.

1.1. Intended use

1. Product designed to extract honey from uncapped frames.
2. The device has to be cleaned before the first use and after finishing work according to the instructions in the "Cleaning and Maintenance" section. Use cleaning agents allowed in food industry



1.2. Operation safety

1. The device is not intended for use by persons (including children) with limited physical, sensory or mental abilities, or by inexperienced users, unless under supervision or with instructions given by an accountable party.

This device is not a toy, and shouldn't be used as one. Children should not to play with it.

2. In the event of damage to the device, to avoid any health and safety risks, repairs should be carried out only by qualified personnel.
3. Never carry out any maintenance or repairs during operation or if the device is plugged in!
4. All covers must be firmly attached to the device during operation



Never carry out any repairs during operation



Do not remove covers during operation

2. Instructions for use

2.1 General instructions – preparation for use

1. Set the device up in a designated, clean, dry and well lit room.
2. Fix the extractor to the ground to prevent it from moving during operation.(applies to W233BN, W2019N)

2.2 Operation instructions

1. This product is designed to extract honey from the frames.
2. The device has to be cleaned before the first use and after finishing work according to the instructions in the "**Cleaning and Maintenance**" section.
3. Place the previously prepared frames in the basket of the extractor, paying particular attention to their correct positioning. Errors in the arrangement of the frames can cause damage, which is not subject to warranty!
4. The beginning phase of the extraction process should be slow and gentle. Special attention should be paid to the so-called "new combs" because of their relative softness.



Warning!!! The frames may only be reversed when the extractor's basket is at a complete standstill!

5. After the basket has stopped, turn the frames 180 degrees and extract the other side of the comb.

Extract the frames in two stages, first on the lower speed of the basket on both sides of the comb.

Next, both sides of the frames are spinned again at a higher speed.

6. Make sure the level of extracted honey in the extractor's tank is low enough to not restrict basket's movement. If such a situation happens, stop the extractor immediately and drain the extracted honey before resuming the process.
7. Place the honey container under the drain valve.

It is recommended to keep the drain gate open during extraction process so the honey can drain freely.

3. Product description

The 2-frame diagonal extractors can be used in small apiaries as well as by hobby beekeepers. They are distinguished by their compact dimensions as well as their easy operation. Their design makes it possible to use them for extracting even the densest honey. The cone-shaped design of the extractor's bottom allows the honey to drain freely.

Honey extractors are packed in cardboard boxes for self-assembly.

3.1. Technical specifications

The Tank of is made of 0.6 mm thick stainless steel. Appropriate arrangement of the rims additionally strengthens the structure of the drum. **Legs** (applies to W233BN extraxtor) Made of powder-coated black steel sheet metal.

Basket design

Diagonal basket made of 2 and 5 mm thick stainless steel rods arranged in such a way as to protect the frames from breaking out of the combs during spinning. Mesh size 40x20 mm. The basket's axle is set in a plain bearing sleeve.

Manual drive with a brake mounted on the upper beam of the extractor allows operation in places with no access to electricity.

The housing of the manual drive is made of powder-coated metal. Milled steel gears transfer torque to the basket axle.

Cover

Transparent made of 3mm thick metaplex, it protects the user from the danger of contact with the rotating basket and from getting dirty.

Drain Valve

Plastic 6/4" flap style valve - MINIMA series,
Stainless 6/4" flap style – OPTIMA series.

Components of a manual driven honey extractor:

- drum with manual drive fitted
- cover 1 set
- plastic flap valve 1 pc. MINIMA series
- stainless flap valve 1 pc. OPTIMAseries
- legs 3 pcs. (applies to W233BN, W2019N)
- instructions manual
- warranty
- installation tools:
 - allen key „6” 1 pc.
 - flat wrench „13” 1 szt.
- Assembly components (listed below)

List of components for assembly:

Leg fixings (applies to W233BN)



- a. fixing knob - 6 pcs.
(applies to W233BN)



- b. legs – 3 pcs.
(applies to W233BN)

Handle fixings



- c. allen screw M8x110 - 1 pc.



- d. handle - 1 pc.



- e. cap nut M8 - 1 pc.



- f. valve 6/4" – 1 pc.



Assembly of a manual-driven honey extractor

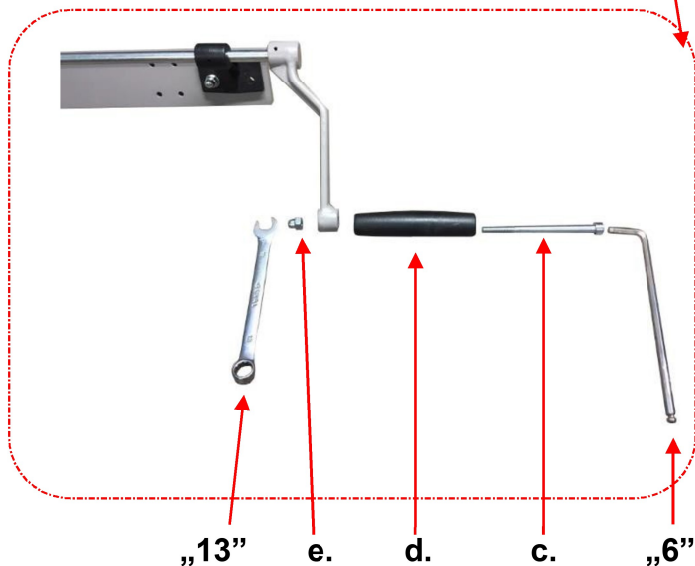
1. Take the extractor's drum with the mounted top beam with manual drive out of the carton
2. Pull out the self-assembly kit
3. Mount the legs (applies to W233BN, W2019N) and a valve (applies to MINIMA series)
4. Mount the crank handle

Handle installation



Fig.1

Fix the crank handle using the flat wrench "13" and the allen key "6"



Leg installation (applies to W233BN, W2019N) fig.2

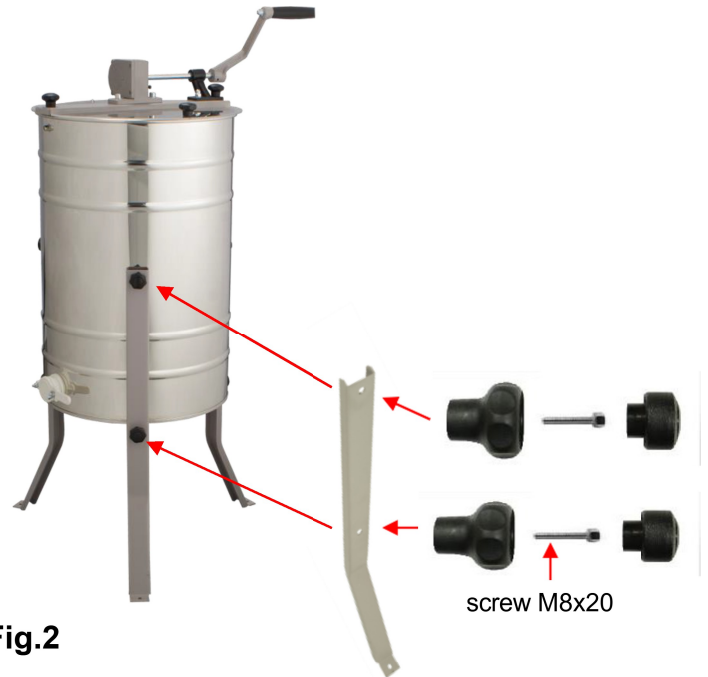


Fig.2

3.2. Basket demounting instructions:

- unscrew the upper beam with the black knobs together with the drive and covers
- pull out the basket
- clean the basket and the drum
- replace the basket in the drum
- fix the upper beam with the black knobs together with the drive and covers

4. Cleaning and maintenance

Clean and dry the unit thoroughly after use.

An additional technical check should be carried out periodically, and if any defects are found, please contact the manufacturer.

Store the device in a dry and frost-free room.

5. Waste disposal and environmental protection

The used product must be disposed in accordance with the local regulations. Return the device to a collection point from where it can be submitted for environmentally compatible recycling.

The consumer has the right to return used equipment directly to the manufacturer's distribution network, free of charge, while replacing it with a new unit as long as the used device is of the same kind and same application as the newly purchased device.

IMPORTANT!!!

Wash the covers using warm 25 [°C] soapy water.

NOTE!!!

Do not use alcohol for cleaning (it may cause surface cracks of the cover).

6. Warranty

The product purchased from the Lyson Company is covered by a manufacturer's warranty. The warranty period is 24 months from the date of purchase.

All purchased products come with receipts or VAT invoices.

Warranty details at: www.lyson.com.pl
