

Manual

Settler with a pump for honey filtering



LYSON 

Przedsiębiorstwo Pszczelarskie Tomasz Łyson

Spółka z o.o. Spółka Komandytowa

34-125 Sulkowice, ul. Raclawicka 162, Polska

www.lyson.com.pl, email: lyson@lyson.com.pl

tel.33/875-99-40 , 33/870-64-02

Siedziba Firmy Klecza Dolna 148 , 34-124 Klecza Górna

This manual encompasses the device with the following code:

W370

Manual

1. General principles for device usage safety
 - 1.1. Operating principles
 - 1.2. Electric safety
 - 1.3. Safety of operation
 2. Device operational manual
 - 2.1. General principles for preparation for operation
 - 2.2. Operating principles
3. Device characteristics
 - 3.1. Technical parameters
4. Device storage
5. Maintenance and cleaning
6. Recycling
7. Guarantee



1. GENERAL PRINCIPLES FOR DEVICE USAGE SAFETY

Prior to operating the device please refer to the manual and act according to the guidelines contained therein. The manufacturer cannot be held accountable for the damages cause by misusing the device or its improper handling.

1.1. Operating principles

1. The device is intended to filter the honey.
2. Prior to operation the device shall be rinsed thoroughly with hot water containing slight quantities of agents accepted to be used in devices intended to come into contact with food or by means of a pressure washer.



1.2. Electric safety

1. Electric installation must be equipped with RCD having the nominal activation current below 30 mA. The operation of the over-current circuit breaker must be checked periodically .
2. If a supply cable gets damaged, they must be replaced. In order to avoid the threat, it must be performed by a guarantor or by a specialised servicing centre or by an authorised person. Do not operate the honey extractor when a supply or connecting cable are damaged !
3. Prior to connecting the device to the mains, check whether the controller is switched off. Switch (2) on the controlling panel shall be placed in "0" position.
4. The nominal voltage of the device and the power supply source must be checked for compatibility.
5. Be careful while connecting the device to the mains.
Hands must be dry!
The floor on which the device has been placed must be dry!
6. Device lid must be closed during operation!
7. The device must not be dislocated during operation.
8. Protect the engine and control panel against humidity (also during storage).
9. It is forbidden to pull the supply cable. The supply cable must be kept away from heat sources, sharp edges and it god technical state must be taken care of .



1.3. Safety of operation

1. The following equipment is not intended to be used by persons with limited physical, sensory or mental capabilities (including children) or persons inexperienced or unfamiliar with that type of equipment unless the usage occurs under supervision or in line with the equipment operating manual provided by safety supervising persons. One must make sure that children do not play with the device
2. In case of any damage to the device, in order to avoid the danger, the repairs may be performed solely by a specialist servicing centre or a qualified person.
3. It is forbidden to perform any maintenance works or repairs when the device is in operation or connected to the mains!
4. All shields must be permanently attached to the device while operating it.
5. The device cannot be activated when the ambient temperature drops below 5° C. When the device has been moved from a room with a lower temperature to a room with a higher temperature, prior to its activation one must wait until the device has achieved the ambient temperature.



It is forbidden to repair the device under operation



It is forbidden to remove the shields under operation

2. OPERATION MANUAL

2.1 General principles for preparing the device for operation

Place the device in the place specified for the purpose and kept in order and cleanliness.

2.2 Operating principles

1. The device is intended to filter the honey.
2. Prior to its first use and after usage, the device

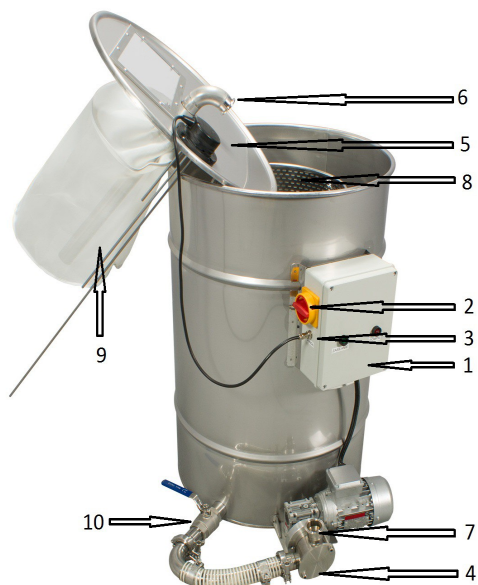
shall be washed according to the guidelines contained in point **Maintenance**.

3. Before device activation, one must:

- Put the plug into the socket and change the switch (2) on the controlling cabinet (1) from “0” position to “1” position.



- Check the connection of honey level sensor probe (5) with the controlling cabinet (1)
- Check the connection tightness between ball valve (10) and the pump (4)
- Ball valve (10) shall be open during operation
- the lid with the probe (5) and the nylon cartridge (9) shall be tightly placed on the barrel and closed



Description:

1. controlling cabinet
2. switch 0-1
3. honey level sensor
4. pump 370W/400V
5. honey sensor probe
6. input connector
7. output connector
8. perforated cartridge
9. nylon cartridge
10. stainless ball valve 5/4"
11. stainless barrel 200 L.



NOTE!!! Do not lift the lid while the device is under operation.

3. Device characteristics

The device is intended to filter impurities from the honey. Built-in level sensor maintain an optimum level of honey in the barrel during operation. Optimum temperature of the honey filtered 35-42 ° C.

3.1. Device technical parameters

- Power supply 400V
- power 370W
- honey level sensor
- capacity 200 L.(stainless barrel)
- stainless perforated basket (8)
- nylon filter (9)
- hose reducer 40/50mm.

4. Device storage

Once the operation terminates, the device must be cleaned and dries thoroughly. Prior to the device start-up, in case when it has been transferred from a room with a lower ambient temperature to a room with a higher one, one must wait until the device has reached the ambient temperature.

The device is to be stored in dry rooms with the temperature above 0° C.

The device is not to be activated when the ambient temperature drops below 5°C.

5. Device maintenance and cleaning



Prior to starting the maintenance, the plug must be taken out!

Prior to first usage and after operation, the device is to be washed thoroughly. While washing, be careful and prevent dumping the engine and controller (they may be covered with water-resistant materials)/ After washing, rinse with pure water and dry the device. Before any season additional technical inspection must be performed. In case when a defect has been detected, contact a service centre.

6. Recycling

Worn-out product must be removed as waste only within selective waste collection organised by the Network of Communal Electric and Electronic Waste Collecting Points. A customer is entitled to return the used equipment to the electrical equipment distributor network, at least free of charge and directly, if the device to be returned is of proper type and serves the same purpose as the newly purchased device

7. Guarantee

Products purchased from "Łysoń" company are encompassed by the manufacturer's guarantee.

The guarantee duration equals 24 months

A receipt or a VAT invoice is issued for each product purchased