

User's manual

Pollen cleaner
for drum size containers



LYSON

Przedsiębiorstwo Pszczelarskie Tomasz Łysoń

Spółka z o.o. Spółka Komandytowa

34-125 Sułkowice, ul. Raclawicka 162, Polska

www.lyson.com.pl, email: lyson@lyson.com.pl

tel.33/875-99-40, 33/870-64-02

Company Headquarters: Klecza Dolna 148, 34-124 Klecza Górna

The manual covers following devices (codes):

W3216

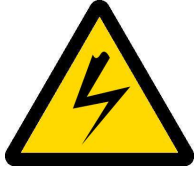
Instructions manual

1. General safety rules
 - 1.1. Electrical safety
 - 1.2. Operation safety
2. Instructions for use
 - 2.1. General rules – preparation for use
 - 2.2. Operation rules
3. Product description
 - 3.1. Design
 - 3.2. Technical specifications
4. Storage
5. Maintenance and cleaning
6. Waste disposal and environmental protection
7. Warranty



1. General safety rules

Before first use read the manual carefully and follow the instructions contained therein. The manufacturer is not liable for damage caused by equipment used inappropriately or by incorrect handling.



1.1. Electrical safety

1. The electrical supply system must be fitted with a residual-current circuit breaker with rated tripping current not higher than 30mA. Performance of the circuit breaker should be checked periodically.
 2. Periodically check the condition of the power cord. Replace the power cord if damaged. Replacing the power cord can only be performed by the manufacturer or by a specialist repair workshop. Do not use the device with damaged power cord!
 3. Make sure that the main switch is in „0” position before plugging the unit in.
 4. Connect the device to a socket with voltage specified on the rating plate of the product.
 5. Carefully connect to the mains socket. Make sure your hands and the floor surface in the room are dry!
 6. Do not move the cleaner during operation.
 7. Protect the motor and control unit from moisture (also during storage).
 8. Do not pull the power cord.
- Keep the power cord away from heat sources and sharp edges to ensure its good condition.



1.2. Operation safety

1. The device is not intended for use by persons (including children) with limited physical, sensory or mental abilities, or by inexperienced users, unless under supervision or with instructions given by an accountable party.
2. In the event of damage to the device, to avoid any risks, repair should be carried out only by a specialist repair personnel.
3. Never carry out any maintenance during operation
4. all guards must be firmly attached to the aerial shaft during operation or with power cord plugged in.
- 5 Do not use the device near flammable materials.
6. For indoor use only. The device is not suitable for outdoor use.
7. In the case the device has been moved from a cold room to a room with higher temperature, before switching on wait until it reaches the ambient temperature and all the condensation water evaporates.



Never carry out any repairs during operation



Do not remove covers during operation

2. Instructions of use

2.1 General rules – preparation for use

1. Set the Pollen Cleaner up in a designated, clean, dry and well lit room.
2. Keep a free space around the device for better handling.
3. Provide easy access to the power source.
4. If necessary, level the device to avoid operation and safety issues during use.
5. Follow the instructions of use.

2.2 Operation instructions

1. The Pollen cleaner is designed to remove chaff and other unwanted particles from bee pollen.
2. The device has to be cleaned before the first use and after finishing work according to the instructions in the "Maintenance and Cleaning" section.
3. Before start:
 - plug the power cord into the socket, set the control dials to the minimum and switch the buttons (1) and (6) from position "0" to "1".
 - extend the folded dirt tray (7) to the horizontal position and adjust the sieves, then fold it back to the vertical position.
 - Close the pollen intake gate between the feeder tray (3) and the sieves with the lever (4).
 - Place an empty pollen drum under the outlet (11) and a container for dirt under the outlet (10).
4. Turn on the sieve motor with a dial (5) and the fans with a dial (2).
5. Open the pollen inlet gate with the lever (4).
6. Control the cleaning quality regularly during the whole process and adjust fan speed or sieves motion if necessary.
7. Separated pollen exits the device through the outlet (11), and dirt through the outlet (10).
8. After the cleaning is finished, switch the cleaner off and clean it thoroughly. Now the machine is ready for another batch of pollen to be cleaned.



Warning! Do not refill the feeder tray while the cleaner is working!

3. Product description

The device is intended for separating bee pollen from any unwanted particles. It is made of powder coated steel. The elements that get in contact with pollen are made of stainless steel. The device consists of two moving sieves and a set of three fans blowing out the impurities from the pollen. Screens are made of woven stainless steel mesh. The upper one has a 4x4mm mesh and the lower one has a 0.5x0.5mm mesh.

Pollen should be thoroughly dried before the cleaning process.

The design of the device allows for adjustment:

- sieve movement speed
- sieve position (up, down)
- fan speed

3.1. Design

- 1 - fan switch 0-1
- 2 - fan speed control dial
- 3 - pollen feeder tray
- 4 - pollen feed gate lever
- 5 - sieve movement speed control dial
- 6 - sieve switch 0-1
- 7 - dirt tray
- 8 - casing and frame (powder-coated)
- 9 - fans
- 10 - dirt outlet
- 11 - clean pollen outlet
- 12 - sieves

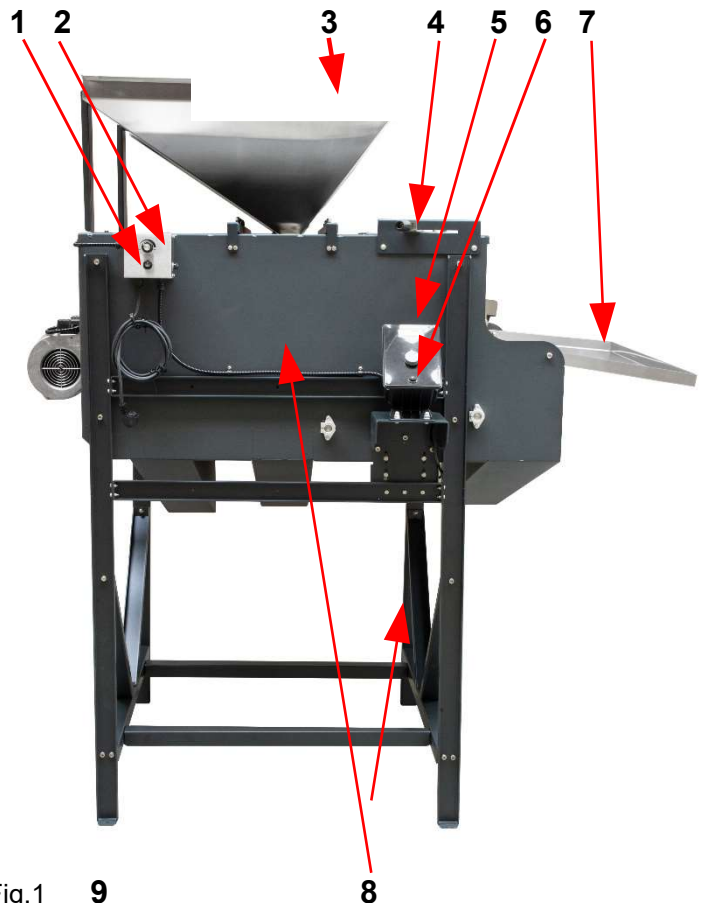
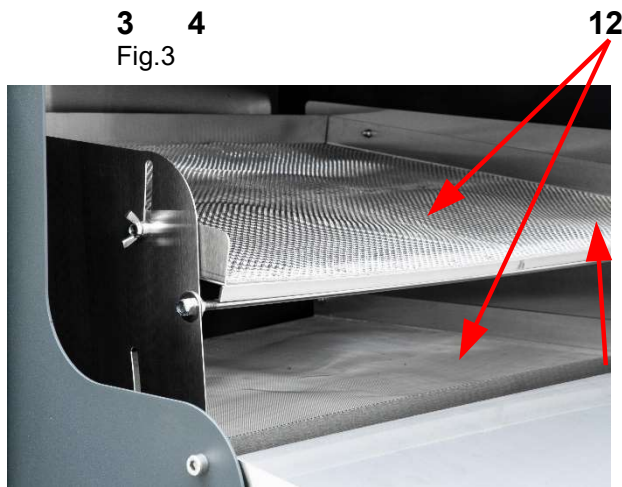


Fig.1 9

8



Fig.2



3 4
Fig.3



Fig.4

3.2. Technical specifications

Design

The casing and frame are made of powder coated black steel.wo.

Feeder tray and sieves

All components in direct contact with pollen are made of stainless steel.

Sieve drive system

Sieves are driven by a 250W electric motor. Sieves' movement speed is infinitely adjustable - potentiometer dial (5)

Fans

Three fans with a total power rating of 201W with infinite speed adjustment - potentiometer dial (2).

10
11

Estimated **Output** of the cleaner is about 130kg/hour.

Power specs:

- power supply - 230V/50Hz
- power rating – 451W

Dimensions and weight:

- height -1870mm.
- width - 1350mm.
- length when unfolded - 1710mm.
- Length when folded - 1380mm.
- net / gross weight - 190 / 218 kg

Feeder tray size (3):

- height - 360mm.
- width – 1010mm.
- length - 760mm.

Dirt tray(7):

- height - 30mm.
- Width - 1000mm.
- length - 400mm.

Dirt outlet (10) and pollen outlet (11) height from the ground:

- Dirt outlet (10) - 650mm.
- Pollen outlet (11) left - 645mm.
- Pollen outlet (11) right - 620mm.

4. Storage

Clean and dry the unit thoroughly after use.

In the case the sterilizing lamp has been moved from a cold room to a room with higher temperature, before switching on wait until it reaches the ambient temperature and all the condensation water evaporates.

Store the device in a dry and frost-free room.

Do not use the device when the ambient temperature is below 5°C.

An additional technical check should be carried out periodically, and if any defects are found, please contact the manufacturer.

5. Cleaning and maintenance



Before performing any maintenance disconnect the device from the power supply outlet.

After use the equipment must be thoroughly cleaned and dried.

In the case the sterilizing lamp has been moved from a cold room to a room with higher temperature, before switching on wait until it reaches the ambient temperature and all the condensation water evaporates.

Store the device in a dry and frost-free room.

An additional technical check should be carried out before the pollen harvesting season, and if any defects found, please contact the manufacturer.

6. Waste disposal and environmental protection

The used product must be disposed in accordance with the local regulations. Return the device to a collection point from where it can be submitted for environmentally compatible recycling.

The consumer has the right to return used equipment

directly to the manufacturer's distribution network, free of charge, while replacing it with a new unit as long as the used device is of the same kind and same application as the newly purchased device.

7. Warranty

The product purchased from the Lyson Company is covered by a manufacturer's warranty. The warranty period is 24 months from the date of purchase.

All purchased products come with receipts or VAT invoices.

Warranty details at:

www.lyson.com.pl